

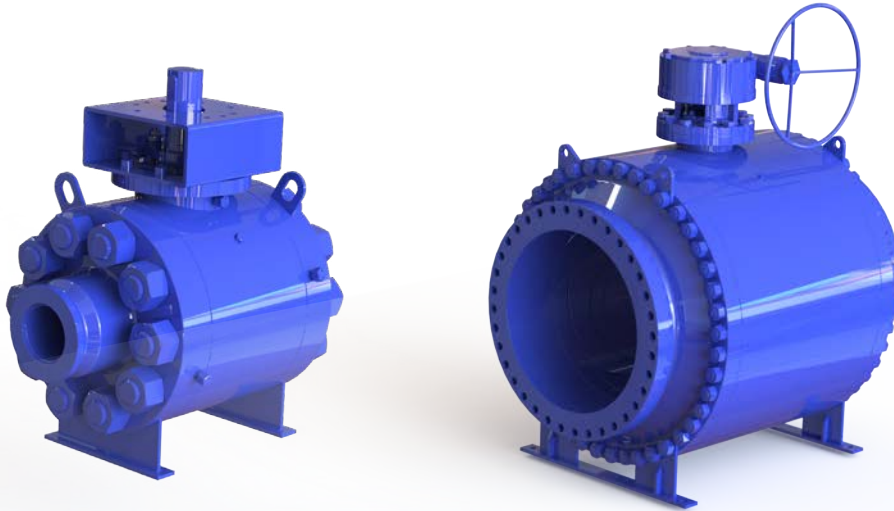
VÁLVULA ESFERA TRIPARTIDA WENMAZZA

Wenmazza Three piece Ball Valve / Valvula Esfera Tripartita Wenmazza

MONTAGEM TRUNNION - PASSAGEM PLENA

Trunnion Mount - Full Bore / Montaje Trunnion - Pasaje Total

B5W *Variações / Variations / Variaciones:* (B5MW / B5DW / B5DMW / B5XMW / B5XW)



CARACTERÍSTICAS PADRÃO:

- Passagem plena;
- Corpo tripartido aparafusado;
- Haste a prova de expulsão no corpo;
- Junta da haste ajustável (preme-gaxeta);
- Buchas auto lubrificantes tipo DU;
- Dispositivo antiestático.

NORMAS E PADRÕES:

- Construção: API 6D / ASME 16.34;
- Face-a-face: API 6D / ANSI B16.10;
- Extremidade Flangeada: ASME B16.5; MSS SP44;
(Outros tipos de extremidade, sob consulta).
- Acabamento do Flange: MSS SP6.

STANDARD FEATURES:

- Full bore;
- Three piece ball valve;
- Blow-out proof stem in the body;
- Adjustable stem gasket (gland);
- DU type self-lubricating bushings;
- Antistatic device.

OPTIONAL FEATURES:

- Reduced bore;
- Fire Safe construction;
- Stem extender;
- Lock device;
- Base board for automation;
- Cryogenic service;
- Double Piston Effect;
- Sealant Injection for Valves larger than 6"
- Double Piston Effect;
- Lubricant, drainage, vent, automation, etc;
- API 6A;

NORMS AND STANDARDS

- Construction: API 6D / ASME 16.34;
- Face-to-face: API 6D / ASME B16.10;
- Flanged End: ANSI B16.5; MSS SP44;
(Other end types on request)
- Flange Finish: MSS SP6.

CARACTERÍSTICAS OPCIONAIS:

- Passagem reduzida;
- Construção Fire Safe;
- Extensor da haste;
- Trava para cadeado;
- Placa base para automação;
- Acionamento por alavanca ou volante;
- Serviço criogênico;
- Duplo Pistão Efeito;
- Injeção de Selante para Válvulas maiores de 6";
- Engraxadores, drenagem, vent, automatização, etc;
- API 6A.

CARACTERÍSTICAS ESTÁNDAR:

- Pasaje total;
- Cuerpo atornillado de tres partes;
- Vástago a prueba de expulsión en el cuerpo;
- Junta de vástago ajustable (prensa estopa);
- Bujes autolubricantes tipo DU;
- Dispositivo antiestático.

CARACTERÍSTICAS OPCIONALES:

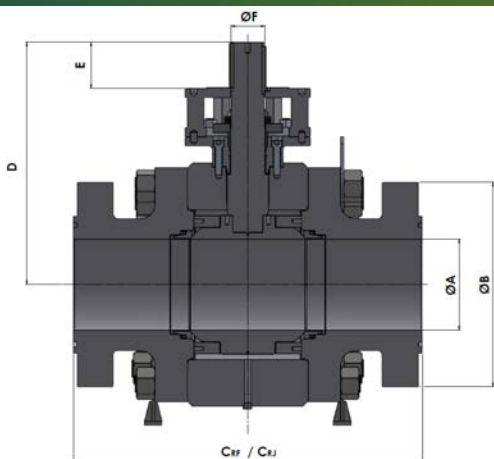
- Pasaje reducido;
- Construcción Fire Safe;
- Extensor de vástago;
- Traba de bloqueo;
- Tablero base para automatización;
- Accionamiento por palanca o volante;
- Servicio criogénico;
- Efecto de doble pistón;
- Inyección de Sellador para Válvulas mayores de 6";
- Lubricante, drenaje, venteo, automatización, etc;
- API 6A;

NORMAS Y PATRONES:

- Construcción: API 6D / ANSI 16.34;
- Distancia cara a cara: API 6D / ASME B16.10;
- Extremo con brida: ASME B16.5; MSS SP44;
(Otros tipos de extremos bajo pedido).
- Acabado de brida: MSS SP6.

A Wenmazza reserva-se o direito de inserir modificações sem prévio aviso. Foto meramente ilustrativa.

Wenmazza reserves the right to introduce modifications without prior notice. Photo for illustrative purposes only.
Wenmazza se reserva el derecho de introducir modificaciones sin previo aviso. Foto solo con fines ilustrativos.



OBSERVAÇÕES / NOTES / NOTAS:

Extremidades flangeadas: conforme código ASME B16.5 para diâmetros até DN 600 (NPS 24), código ASME B16.47 série A para diâmetros de DN 650 a 900 (NPS 26 a 36), código ASME B16.47 série B para diâmetros de DN 950 a 1500 (NPS 38 e maiores) devem ser iguais às do código ASME B16.47 série A.

NOTA "A" do item C.1.4 ABNT NBR 15827.

Flanged ends: per ASME code B16.5 for sizes up to DN 600 (NPS 24), ASME code B16.47 series A for sizes DN 650 to 900 (NPS 26 to 36), ASME code B16.47 series B for sizes DN 950 to 1500 (NPS 38 and greater) must be the same as the ASME B16.47 series A code.

NOTE "A" of item C.1.4 ABNT NBR 15827. /

Extremos bridados: según código ASME B16.5 para diâmetros hasta DN 600 (NPS 24), código ASME B16.47 serie A para diâmetros desde DN 650 a 900 (NPS 26 a 36), código ASME serie B16.47 B para diâmetros de DN 950 a 1500 (NPS 38 y mayores) debe ser igual al código ASME B16.47 serie A.

NOTA "A" del ítem C.1.4 ABNT NBR 15827.

* Dimensões especiais, não normativas

* Special dimensions, non normative / * Dimensiones especiales no normativas.

** Sob consulta, poderá ser fornecido outros tamanhos e classe de pressão / * Upon request, other sizes and pressure classes can be supplied. / * Bajo pedido, se pueden suministrar otros tamaños y clases de presión.

Informações de peso, consultar engenharia.

For weight values, consult engineering. / Información de peso, consultar ingeniería.

DIMENSÕES - B5W									
DIMENSIONS - B5W / DIMENSIONES - B5W									
Bitola Size / Tamaño	Passagem Passage / Pasaje	Série Series / Serie	ØA mm	ØB mm	C (RF) mm	C (RTJ) mm	D mm	E mm	ØF mm
6"	Plena / full bore / total	900	150,0	380,0	610,0	613,0	434,0	95,0	60,3
6"	Plena / full bore / total	1500	144,0	395,0	705,0	711,0	480,0	95,0	60,3
6"	Plena / full bore / total	2500	131,0	485,0	914,0	927,0	425,0	105,0	73,0
8"	Plena / full bore / total	900	201,0	470,0	737,0	740,0	443,0	95,0	60,3
8"	Plena / full bore / total	1500	192,0	485,0	832,0	841,0	490,0	115,0	73,0
8"	Plena / full bore / total	2500	179,0	552,0	1022,0	1038,0	-	-	88,9
10"	Plena / full bore / total	600	252,0	510,0	787,0	791,0	515,0	95,0	60,3
10"	Plena / full bore / total	900	252,0	545,0	838,0	841,0	549,0	95,0	60,3
10"	Plena / full bore / total	1500	239,0	584,0	991,0	1000,0	615,0	140,0	88,9
10"	Plena / full bore / total	2500	223,0	675,0	1270,0	1292,0	626,0	128,0	88,8
12"	Plena / full bore / total	600	303,0	560,0	838,0	841,0	553,0	95,0	60,03
12"	Plena / full bore / total	900	303,0	610,0	965,0	968,0	580,0	115,0	73,0
12"	Plena / full bore / total	1500	287,0	675,0	1130,0	1146,0	650,0	140,0	88,9
12"	Plena / full bore / total	2500	265,0	762,0	1422,0	1445,0	752,0	-	-
14"	Plena / full bore / total	600	334,0	605,0	889,0	892,0	624,0	140,0	88,9
14"	Plena / full bore / total	900	322,0	640,0	1029,0	1038,0	660,0	140,0	88,9
14"	Plena / full bore / total	1500	315,0	749,0	1257,0	1276,0	-	-	-
14"	Plena / full bore / total	2500	292,0	-	-	-	-	-	-
16"	Plena / full bore / total	150	385,0	595,0	762,0	775,0	665,0	95,0	60,3
16"	Plena / full bore / total	300	385,0	650,0	838,0	854,0	665,0	140,0	88,9
16"	Plena / full bore / total	600	385,0	685,0	991,0	994,0	665,0	140,0	88,9
16"	Plena / full bore / total	900	373,0	705,0	1130,0	1140,0	706,0	140,0	88,9
16"	Plena / full bore / total	1500	360,0	826,0	1384,0	1407,0	-	-	-
16"	Plena / full bore / total	2500	333,0	-	-	-	-	-	-
18"	Plena / full bore / total	150	436,0	635,0	864,0	876,0	726,0	140,0	88,9
18"	Plena / full bore / total	300	436,0	710,0	914,0	930,0	726,0	140,0	88,9
18"	Plena / full bore / total	600	436,0	745,0	1092,0	1095,0	726,0	140,0	88,9
18"	Plena / full bore / total	900	423,0	785,0	1219,0	1232,0	775,0	153,0	120,6
18"	Plena / full bore / total	1500	406,0	914,0	1537,0	1559,0	-	-	-
20"	Plena / full bore / total	150	487,0	700,0	914,0	927,0	773,0	140,0	88,9
20"	Plena / full bore / total	300	487,0	775,0	991,0	1010,0	773,0	153,0	120,6
20"	Plena / full bore / total	600	487,0	815,0	1194,0	1200,0	773,0	140,0	88,9
20"	Plena / full bore / total	900	471,0	855,0	1321,0	1334,0	828,0	153,0	120,6
20"	Plena / full bore / total	1500	545,0	984,0	1664,0	1686,0	-	-	-
22"	Plena / full bore / total	150	538,0	549,0	991,0	-	861,0	140,0	88,9
22"	Plena / full bore / total	300	538,0	838,0	1092,0	1114,0	861,0	153,0	120,6
22"	Plena / full bore / total	600	538,0	870,0	1295,0	1305,0	861,0	153,0	120,6
24"	Plena / full bore / total	150	589,0	815,0	1067,0	1080,0	898,0	153,0	120,6
24"	Plena / full bore / total	300	589,0	915,0	1143,0	1165,00	898,0	153,0	120,6
24"	Plena / full bore / total	600	589,0	940,0	1397,0	1407,0	898,0	153,0	120,6
24"	Plena / full bore / total	900	570,0	1040,0	1549,0	1568,0	942,0	153,0	120,6
26"	Plena / full bore / total	150	633,0	870,0	1143,0	-	916,5	158,0	120,5
26"	Plena / full bore / total	300	633,0	972,0	1245,0	-	-	-	-
28"	Plena / full bore / total	150	684,0	927,0	1245,0	-	-	-	-
28"	Plena / full bore / total	300	684,0	1035,0	1346,0	-	-	-	-
30"	Plena / full bore / total	150	735,0	984,0	1295,0	-	869,0	147,0	120,4
30"	Plena / full bore / total	300	735,0	1092,0	1397,0	-	-	-	-
32"	Plena / full bore / total	150	779,0	1060,0	1372,0	-	-	-	-
32"	Plena / full bore / total	300	779,0	1149,0	1524,0	-	-	-	-
34"	Plena / full bore / total	150	830,0	1111,0	1473,0	-	-	-	-
34"	Plena / full bore / total	300	830,0	1206,0	1626,0	-	-	-	-
36"	Plena / full bore / total	150	874,0	1168,0	1524,0	-	-	-	-
36"	Plena / full bore / total	300	874,0	1270,0	1727,0	-	-	-	-
36"	Plena / full bore / total	600	874,0	1314,0	2083,0	2099,0	1039,0	177,0	152,2
38"	Plena / full bore / total	150	925,0	1124,0	-	-	-	-	-
38"	Plena / full bore / total	300	925,0	1168,0	-	-	-	-	-
40"	Plena / full bore / total	150	976,0	1175,0	-	-	-	-	-
40"	Plena / full bore / total	300	976,0	1238,0	-	-	-	-	-
42"	Plena / full bore / total	150	1020,0	1346,0	-	-	-	-	-
42"	Plena / full bore / total	300	1020,0	1289,0	2083,0	-	154,8	218,0	160,0