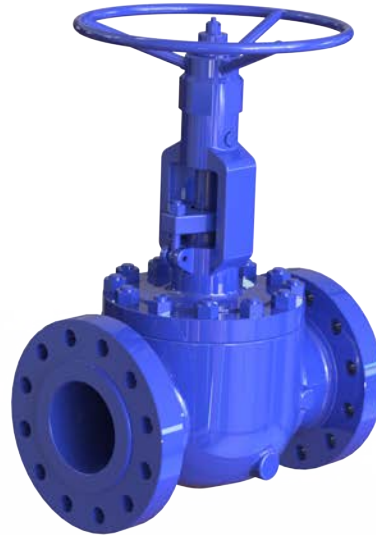


VÁLVULA ORBITAL COM HASTE ASCENDENTE WENMAZZA

Wenmazza Orbital valve with rising stem /

Valvula orbital con vástago ascendente Wenmazza

OW



CARACTERÍSTICAS PADRÃO:

- Passagem plena;
- Haste Ascendente;
- Esfera Guiada;
- Bidirecional;
- Livre de fricção sobre o assento durante giro de 900;
- Baixo torque operacional;
- Fechamento hermético em ambas direções;
- Construção Top Entry;
- Injeção de Selante na gaxeta do castelo;
- Operada por volante;
- Fire Safe segundo norma API 6A;
- Dispositivo antiestático;
- Limitador independente da alavanca.

STANDARD FEATURES:

- Full bore;
- Rising Stem;
- Guided Ball;
- Bidirectional;
- Friction free on seat during 900 turn;
- Low operating torque;
- Hermetic closure in both directions;
- Top Entry Construction;
- Sealant injection into the castle gasket;
- Handwheel operated;
- Fire Safe according to API 6A standard;
- Antistatic device;
- Independent lever limiter.

OPTIONAL FEATURES:

- Pneumatic actuator;
- Low temperature service;
- High temperature service (up to 400° C);
- Adjustable stem gasket (gland).

NORMS AND STANDARDS

- Construction: API 6D /ASME 16.34;
- Face-to-face: API 6D / ASME B16.10;
- Flanged End: ANSI B16.5;
(Other end types on request)
- Flange Finish: MSS SP6.

CARACTERÍSTICAS OPCIONAIS:

- Atuador pneumático;
- Serviço de baixa temperatura;
- Serviço de alta temperatura (até 400° C);
- Junta da haste ajustável (preme-gaxeta).

NORMAS E PADRÕES:

- Construção: API 6D /ASME 16.34;
- Face-a-face: API 6D / ANSI B16.10;
- Extremidade Flangeada: ASME B16.5;
(Outros tipos de extremidade, sob consulta).
- Acabamento do Flange: MSS SP6.

CARACTERÍSTICAS ESTÁNDAR:

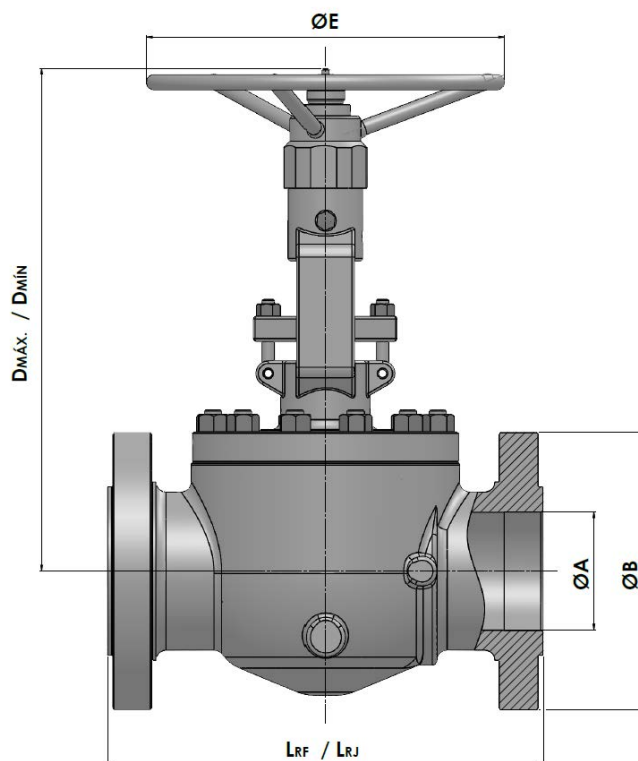
- Pasaje total;
- Vástago Ascendente;
- Esfera Guiada;
- Bidireccional;
- Libre de fricción en el asiento durante un giro de 900;
- Torques de funcionamiento bajo;
- Cierre hermético en ambos sentidos;
- Construcción Top Entry;
- Inyección de sellador en la junta del castillo;
- Volante operado;
- Fire Safe según el estándar API 6A;
- Dispositivo antiestático;
- Limitador de palanca independiente.

CARACTERÍSTICAS OPCIONALES:

- Actuador neumático;
- Servicio a baja temperatura;
- Servicio de alta temperatura (hasta 400° C);
- Junta de vástago ajustable (prensa estopa).

NORMAS Y PATRONES:

- Construcción: API 6D /ANSI 16.34;
- Distancia cara a cara: API 6D / ASME B16.10;
- Extremo con brida: ASME B16.5;
(Otros tipos de extremos bajo pedido).
- Acabado de brida: MSS SP6.



DIMENSÕES - OW									
DIMENSIONS - OW / DIMENSIONES - OW									
Bitola Size / Tamaño	Passagem Passage / Pasaje	Classe Class / Clase	ØA mm	ØB mm	D mín. mm	D máx. mm	ØE mm	L (RF) mm	L (RF) mm
2"	Plena / full bore / total	150	49,0	150,0	353,0	394,0	180,0	178,0	-
2"	Plena / full bore / total	300	49,0	165,0	353,0	394,0	180,0	216,0	-
2"	Plena / full bore / total	600	49,0	165,0	353,0	394,0	180,0	292,0	295,0
2"	Plena / full bore / total	900	49,0	215,0	429,0	467,0	230,0	368,0	371,0
2"	Plena / full bore / total	1500	49,0	215,0	429,0	467,0	230,0	368,0	371,0
3"	Plena / full bore / total	150	74,0	190,0	375,0	410,0	180,0	203,0	-
3"	Plena / full bore / total	300	74,0	210,0	375,0	410,0	180,0	283,0	-
3"	Plena / full bore / total	600	74,0	210,0	445,0	483,0	230,0	356,0	359,0
3"	Plena / full bore / total	900	74,0	240,0	533,0	588,0	360,0	381,0	384,0
3"	Plena / full bore / total	1500	74,0	265,0	533,0	588,0	360,0	470,0	473,0
4"	Plena / full bore / total	150	100,0	230,0	457,0	499,0	230,0	305,0*	-
4"	Plena / full bore / total	300	100,0	255,0	457,0	499,0	230,0	305,0	-
4"	Plena / full bore / total	600	100,0	275,0	502,0	552,0	360,0	432,0	435,0
4"	Plena / full bore / total	900	100,0	290,0	578,0	645,0	360,0	457,0	460,0
4"	Plena / full bore / total	1500	100,0	310,0	578,0	645,0	360,0	546,0	549,0
6"	Plena / full bore / total	150	150,0	280,0	584,0	638,0	360,0	394,0	-
6"	Plena / full bore / total	300	150,0	320,0	584,0	638,0	460,0	403,0	-
6"	Plena / full bore / total	600	150,0	355,0	584,0	638,0	460,0	559,0	562,0
6"	Plena / full bore / total	900	150,0	380,0	654,0	724,0	510,0	610,0	613,0
6"	Plena / full bore / total	1500	144,0	395,0	-	1145,0	610,0	705,0	711,0
8"	Plena / full bore / total	150	201,0	345,0	616,0	683,0	460,0	457,0	-
8"	Plena / full bore / total	300	201,0	380,0	616,0	683,0	460,0	502,0	-
8"	Plena / full bore / total	600	201,0	420,0	692,0	778,0	510,0	660,0	663,0
8"	Plena / full bore / total	900	201,0	470,0	-	1202,0	610,0	737,0	740,0
8"	Plena / full bore / total	1500	192,0	485,0	-	1650,0	610,0	832,0	841,0
10"	Plena / full bore / total	150	252,0	405,0	825,0	914,0	360,0	648,0*	-
10"	Plena / full bore / total	300	252,0	445,0	825,0	914,0	360,0	648,0*	-
10"	Plena / full bore / total	600	252,0	510,0	892,0	994,0	406,0	787,0	791,0
10"	Plena / full bore / total	900	252,0	545,0	-	1326,0	810,0	838,0	841,0
10"	Plena / full bore / total	1500	240,0	585,0	-	-	-	991,0	1000,0
12"	Plena / full bore / total	150	303,0	485,0	1019,0	1118,0	360,0	762,0*	-
12"	Plena / full bore / total	300	303,0	520,0	1019,0	1118,0	360,0	762,0*	-
12"	Plena / full bore / total	600	303,0	560,0	1130,0	1230,0	510,0	838,0	841,0
12"	Plena / full bore / total	900	303,0	610,0	-	1508,0	760,0	965,0	968,0
12"	Plena / full bore / total	1500	287,0	675,0	-	2207,0	610,0	1130,0	1146,0
14"	Plena / full bore / total	150	334,0	535,0	1221,0	1330,0	460,0	826,0*	-
14"	Plena / full bore / total	300	334,0	585,0	1221,0	1330,0	460,0	826,0*	-
14"	Plena / full bore / total	600	334,0	605,0	1313,0	1430,0	820,0	889,0	892,0
14"	Plena / full bore / total	900	322,0	640,0	-	1790,0	915,0	1029,0	1038,0

* Dimensões especiais, não normativas
 * Special dimensions, non normative / * Dimensiones especiales no normativas.

** Sob consulta, poderá ser fornecido outros tamanhos e classe de pressão / * Upon request, other sizes and pressure classes can be supplied. / * Bajo pedido, se pueden suministrar otros tamaños y clases de presión.

Informações de peso, consultar engenharia.
 For weight values, consult engineering. / Información de peso, consultar ingeniería.